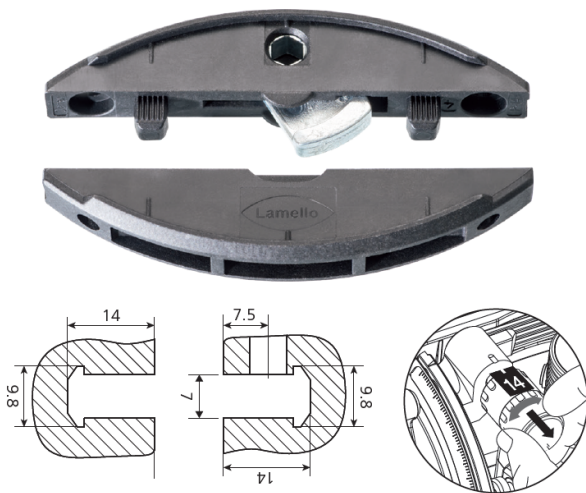


Processing information for CNC

Find the right connector for your applications

Clamex P-14

Detachable connecting fitting



Technical data

Size.....	64 × 27 × 9.7 mm
Cutter	Ø 100.4 × 7 × 22
Material of connector	fibreglass reinforced plastic
Material of lever.....	zinc die cast
Installation tolerance.....	longitudinal ± 1 mm

Tensile strength (N)

MDF	~ 900
Particle board	~ 800
Beech	~ 1000

Clamex P-14

Art.No.

Carton with 80 pairs	145334
Carton with 300 pairs	145346
Carton with 1000 pairs	145356

Drill jig P-System	125344
--------------------------	--------

Input

α [°]:	90
M1 [mm]:	19
M2 [mm]:	19

Positioning

Edge Processing

CNC

	X1	X2
Surface machining [mm]:	9.5	9.5

